



ME-160

# Mechanical Engineering Drawing

## Isometric Views(with Holes)

**Prepared By:**

Musanna Galib

Md. Rakib Hossain

**Course Teachers:**

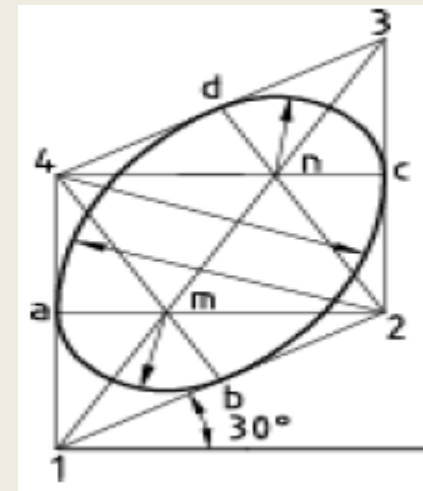
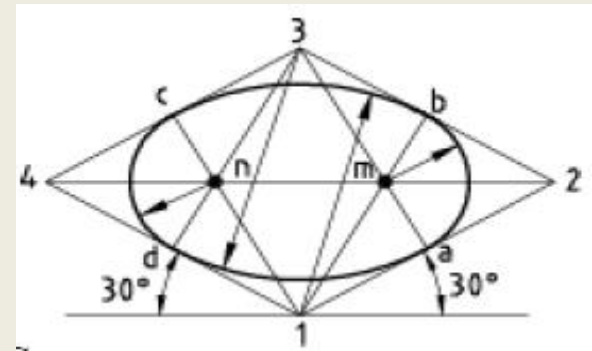
Musanna Galib

Saif Al-Afsan Shamim

Abdul Aziz Shuvo

# How to draw :

- **4-Center Method (for circle):** 4-Centre method is used to draw an **ellipse** in isometric for a circle.
- **Step 1:** Construct the **rhombus** in isometric using **circle diameter** as sides.
- **Step 2:** Draw arcs using 4-centres *m, n, 1 and 3* with *radius* shown fig.
- **Step 3:** For isometric projection, isometric scale is used to draw the rhombus.



# Lines

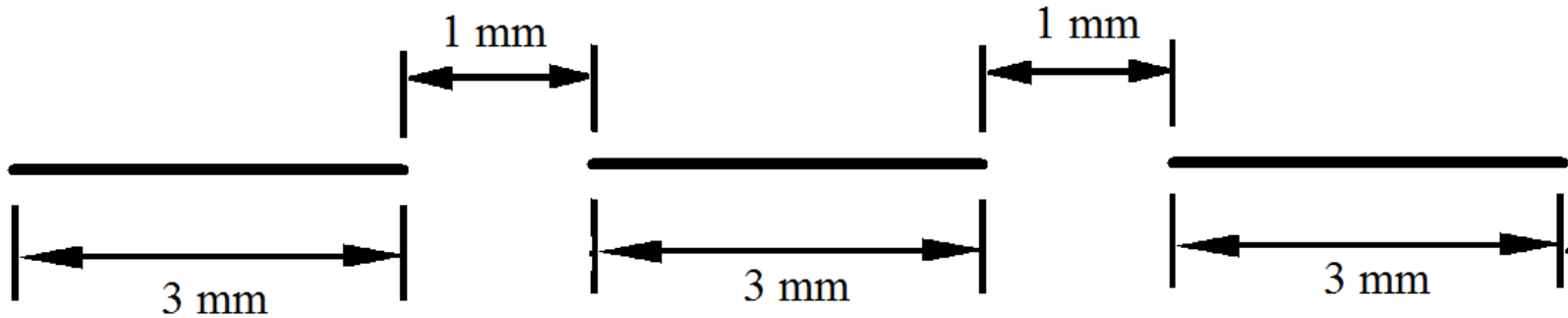
- Object Line : 100% thick
- Hidden Line: 50% thick
- Dimension, Extension Line: 25% thick
- Center Line : 50% thick
- Cutting Plane Line : 125% thick
- Hatchet line :25% thick

**Object Line**

**Thickness: 100 %**

**Hidden Line**

**Thickness: 50 %**



**Center Line**

**Thickness: 50 %**

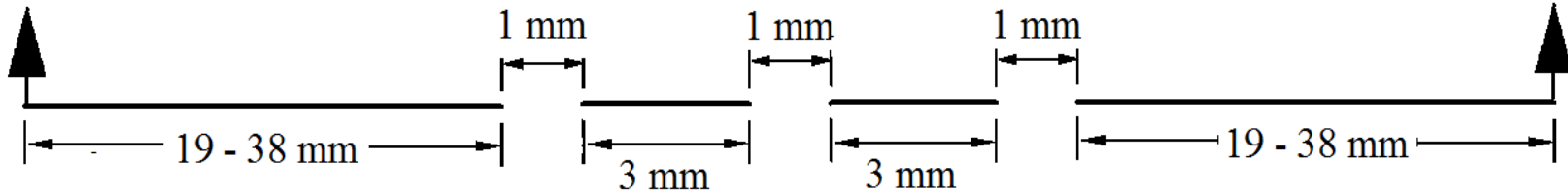
Dimension and  
Extension Lines

Light  
3.000

Thickness: 25 %

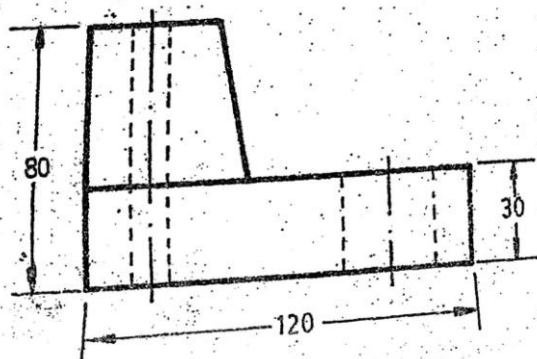
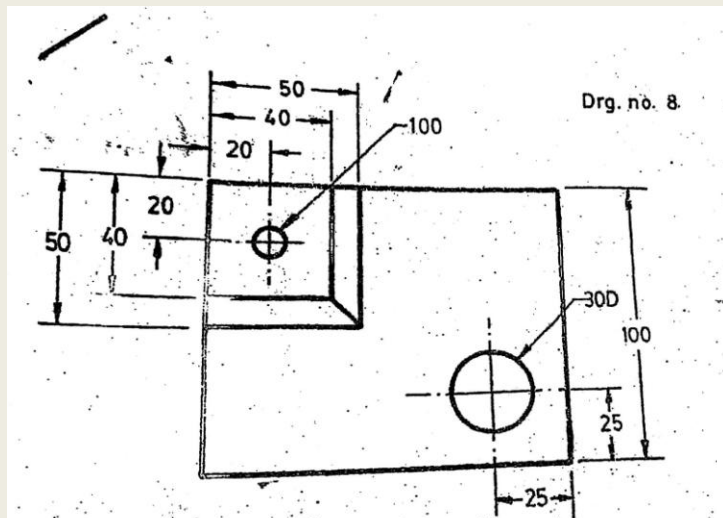
Thickness: 125 %

Section Line

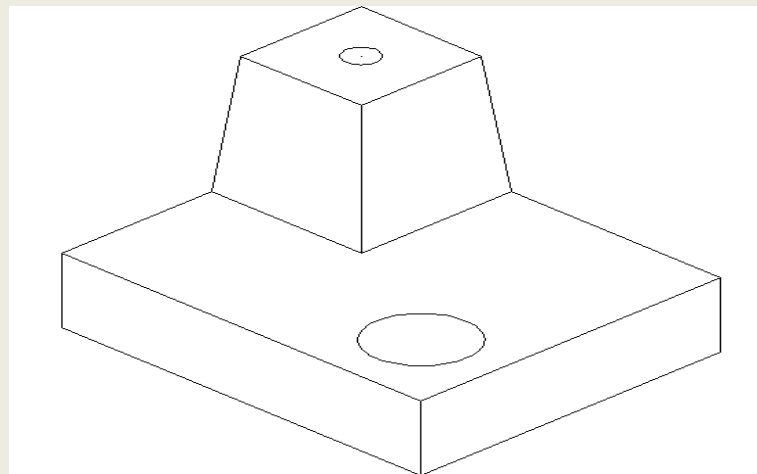
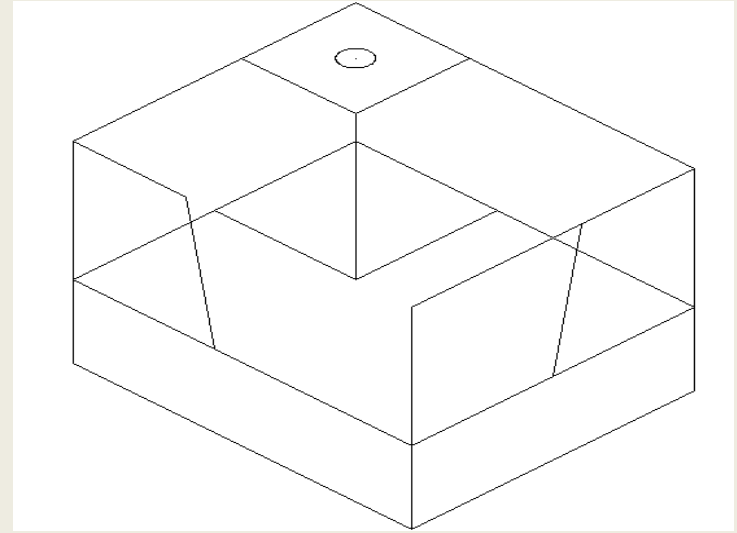
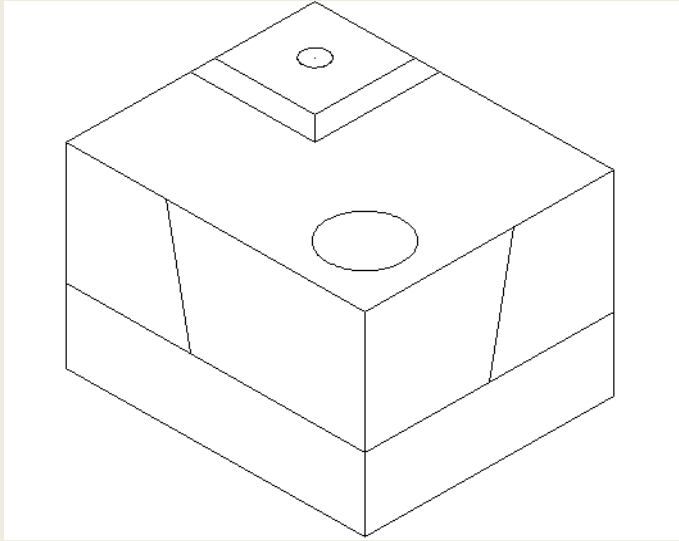


**N.B.: All Percentages are with respect to the object line**

# First Problem



# First Problem



**Persist Until Succeed !!!**